

NATIONAL INSULATOR ASSOCIATION



DRIP POINTS

Volume 12



NATIONAL INSULATOR ASSOCIATION
6980 WALNUT LK RD
WEST BLOOMFIELD MI 48033



Rec 4-22-85

TO:

Jack Tod #13
Caroline Tod #67
3427 N. 47th Place
Phoenix, AZ 85018

PRESIDENT

Michael Bruner NIA #1482
6980 Walnut Lake Road
West Bloomfield, MI 48033
(313) 661-2359

TREASURER

Rod Krupka NIA #1308
2615 Echo Lane
Ortonville, MI 48462
(313) 627-6351

EXECUTIVE DIRECTOR

Kevin Lawless NIA #1679
41 Crestwood Drive
Schenectady, NY 12306
(518) 355-5688

INFORMATION DIRECTOR

Kenneth Stefan NIA #2413
1300 South Elmhurst, Apt. 310
Mount Prospect, IL 60056
(312) 437-8632

EASTERN REGION VICE-PRESIDENT

John DeSousa NIA #419
5 Brownstone Road
East Granby, CT 06026
(203) 658-0353

CENTRAL REGION VICE-PRESIDENT

Michael Sovereign NIA #1548
525 East Illinois
Wheaton, IL 60187
(312) 668-2177

DRIP POINTS

PUBLISHED QUARTERLY BY

National Insulator Association



COPYRIGHT © 1985 by

FROM THE PRESIDENT:

Hello from the North woods. It's been a while since our last local show around here. I can't wait to see spring roll around and the 1985 show season!

Lots of NIA matters have evolved since the last "Drip Points" so let's dig right in...

The NIA Board has approved a change in the NIA Handbook under the section of HOSTING INSULATOR SHOWS (subtitled NIA sanctioned local shows). The new wording would make the first paragraph read...

"There is one primary purpose for NIA sanctioning of local shows hosted by clubs and individuals - to indicate to our members which of these shows are worthy of their attendance. The NIA will sanction most local shows which have more than incidental insulator activity and which are conducted in acceptable fashion. The NIA will donate a ribbon to any show that promotes the insulator collecting hobby. The ribbon is to be awarded to any insulator or related display. However, the show must be NIA sanctioned to receive a ribbon."

This simple addition will require a show host to "sanction" their show if they want a ribbon. NIA sanctioning is available to any show providing it meets the above requirements. To make things easy to the show host, we have come up with a new form that will be sent to those requesting a show ribbon. You will find a 1/2 size copy of this form on the following pages.



Dear Show Host,

Thank you for your request for an NIA Show Ribbon. This award will benefit us both by encouraging attendance at your show, and by promoting the insulator collecting hobby. This award will make some deserving person very proud.

The NIA asks only that your show will have more than incidental insulator activity, that the award be given only to any insulator or related display, and that you notify the NIA Show Chairman of your show particulars. For your convenience you may use the form below.

Thank you for letting the NIA be a part of your show. If we can be of any further assistance, please don't hesitate to contact me.

Wishing you much success with your show

NIA Show Chairman

Name of show _____

Show Date(s) _____

Location _____

Chairmans Name _____

Chairmans Address _____

Items for sale at show _____

Submitted by: (sign) _____

Date _____

NATIONAL INSULATOR ASSOCIATION - Show Information

(Please use attachments if necessary to give a full description)

Name of show _____
Location & Facility _____
Chairman & Address _____ Phone _____
Type of Show (items allowed) _____
Type of security _____
Public hours & dates _____
Set-up hours _____ Admission _____
Table size & prices _____
Table deposit amount _____ Cutoff date for refund _____
Total tables _____ Tables reserved for insulators (if any) _____
Table covers furnished _____ Table signs _____
Hand carts available? _____ Electricity for tables? _____
Do you furnish dealer identification badges? _____
Are exhibits planned? _____ Describe insulator categories _____
Is food on premises? _____ If not, how nearby? _____
Describe overnight parking for self contained campers and the cost: _____
Do you want the NIA to furnish at cost any of the following:
NIA floor rules _____ NIA exhibit and judging rules _____ Posters with
floor rules _____ Judging sheets & Tally forms _____ Standard exhibit
name identification cards _____
Describe any NIA show rules which you must except, and give reasons

Describe on reverse any rules in addition to standard NIA show rules.
Submitted by, & title (sign) _____ Date _____
NIA Sanction granted by _____ Date _____

The old form has now been designated for hosts of class "A" & "B" shows.

Please don't hesitate to ask for a ribbon. They are free of charge and they promote your show and our great hobby!

It's that time of year again, time to vote for regional vice-president. This time it is the Central Region. Those of you in the Central Region, please read over the candidates qualifications and cast your ballot. You will find a pre-addressed envelope enclosed in this issue. As you can see, we have some fine candidates willing to donate their time.

The next item on the agenda is the announcement of a new addition to the NIA family - A COMPUTER! Here is a few of the details for you computer "freaks"...

*Commodore 64 Generator
Commodore 1702 Monitor
Commodore 1541 Disk Drive
Star Gemini SQ-10 Printer w/Interface*

Our software requirements are for a program that meets our membership and mailing list needs, so we have added a "MIRAGE DATABASE MANAGER with REPORT GENERATOR".

The computer will make the organization of information from members a pleasure instead of a pain. The NIA Treasurer has had some real problems keeping track of current membership lists, dues, mailing labels etc. Now the computer will do it all! Any information can be found at the touch of a few buttons. We

lables, etc. You'll all get a chance to see it in operation at the front table of the National.

By the way, we could use a good word processing program. If any of you members have one that fits our unit, we would appreciate it if we could "borrow" it for a few days.

Don't forget to send in any up-coming show information to Ken Stefan. It's free advertising for your show. Also remember that we will be glad to enclose a copy of your show flyer in DRIP POINTS provided your show is NIA sanctioned.

That's plenty for now, I'd like to hear from you as always. Keep lookin' towards June 7th, 8th, and 9th - The National!

My best,

Mikhail Bunn

NIA # 1482



FROM THE TREASURER:

We have had a lot of snow this Winter in Michigan.(about 16 inches on the ground now where I live), but it doesn't compare to the blizzard of membership renewals and new memberships that have been covering my dining room table for the past 1½ months. My apologies to those of you who may have wondered if I had lost your letters. I am caught up now, but I ask for the patience of those just about to renew in case things get away from me again.

Currently we have, after acquiring 36 new members since our last issue of "Drip Points", a total membership of 1,261. I ask our veteran members to make our new members welcome.

Our bank account continues in the black, with a balance of over \$1,000. This balance reflects the NIA's recent computer purchase. Our assets will grow in the next few months as membership renewals are only about 15% in.

Keep those letters and checks coming.

Richard H. Keup

NIA # 1308



FROM THE INFORMATION DIRECTOR:

Hi there and welcome to the spring issue of "Drip Points"

As I promised, enclosed in this issue is the Speciality Collectors Listing which I compiled from the postcards that were sent to me. We were a bit surprised that we did not have a larger response. The main idea of this listing was to get speciality collectors together with other speciality collectors or dealers which may be able to help each other out. Drop me a postcard and let me know if you have any favorable experience with this listing or if you feel that another updated listing would be a good idea for next year. Remember, the address of the speciality collector may be obtained from the March 1985 "Crown Jewels" directory.

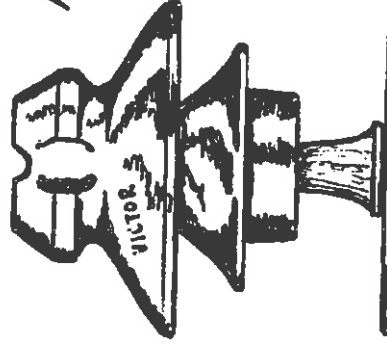
As you have heard from Mike, the NIA has just purchased a computer. This should be quite a help in all areas of the NIA. I know for me it will be a great help in printing up the mailing labels by states. I guess Mike and Rod will be the primary operators of the thing. That is ok with me as I am as good with computer programming and operation as I am with spelling. (I am still trying to figure out if the "generator" that Mike had mentioned in his article is series or shunt wound and how many kilowatts of electricity it will produce!)

I would like to now take the time to thank my good friend Robert Winkler of Michigan City, Indiana for his fine contributions to the past three issues of "Drip Points". Robert is a fine

(both glass and porcelain) benefit from and enjoy his sketches. As far as I am concerned, and I am not alone, his work has really helped "liven" up the new "Drip Points". Many thanks Bob!

Now Mr. Winkler has a few other projects which he is working on so I can't tie him up with drawing four to six sketches for every issue of "Drip Points", so I enlisted the help of another talented friend from Michigan. Steve Kella of Muskegon donated two fine sketches for this issue that I'm sure you will enjoy. I even got permission to publish a small sketch of a beehive from you-know-who; (Clarice Gordon). The summer issue of "Drip Points will come into the making shortly and I'm going to need some more material. Anybody who would like to help us out should send their sketches, cartoons or news articles to me at the address inside the front cover. Volunteer before ye are drafted!!!

Thanks and good collecting!



Ken Stefan

NIA # 2413

23 KV



FROM THE EASTERN REGION VICE-PRESIDENT:

Winter showed its coldest up and down the east coast this year; but that didn't stop our hobby activities.

Len and Jackie Linscott hosted the 1984 Eastern Regional in Titusville, Florida and reported that the mall was filled to capacity with sales tables and exhibits Good advertising proved to be an asset, as there was a steady and often crowded atmosphere of curious and new, as well as seasoned collectors, throughout the weekend. Crown Jewels will fill you in on show details and pictures of the exhibits and the action.

Up coming shows in the Eastern Region:

April 14th:

*Yankee Pole Cat Insulator Club -
Spring Show and Sale
American Legion Hall
Route 66, Marlborough, CT
Host: John de Sousa and Bob Lanpher*

September 28-29th:

*1985 Eastern Regional
Kulpsville, PA
(details to come)*

Host: Steve Sobb and Claude Wambold

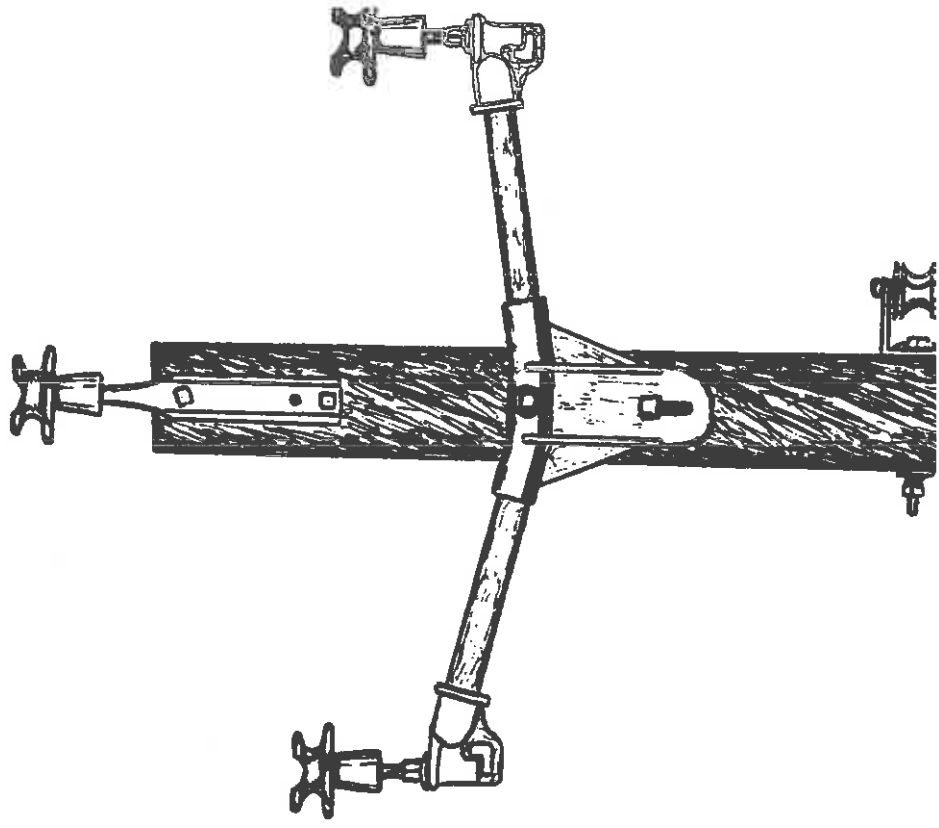
Gert Wyer of Cromwell, CT passed away this winter. It was Gert that got the Yankee Pole Cat Insulator Club off the ground back in 1970. YPCIC is the oldest active insulator club in the Nation and a member of the NIA. Gert was very close to the Milhollands and it was she that introduced them to the Northeastern Region.

See you in St. Charles...

Good Collecting,

John de Sousa

NIA # 419




FROM THE CENTRAL REGION VICE-PRESIDENT:

First of all in this issue of "Drip Points", Larry Veneziano, Jim Crandall and myself would like to thank all the members of the Missouri Valley Insulator Club on the postponment of their sixth annual show and their super support of this years National in St. Charles, Illinois. A generous group to say the least and we are all behind them for the spring of 86.

Finally got around to suscribing to ANTIQUE BOTTLE and GLASS COLLECTOR magazine, quite a nice monthly. Ray Klingensmith, one of our mid-western locals, does a first class column on insulators, so you all may wish to check into the magazine.

Also besides the usual reminder to get your reservations in early for the National Show, don't forget to have your NIA membership renewal in, should you plan on a display table. Remember, it is the NIA that foots the bill on many of the awards, so be in touch with Rod Krupka, our Treasurer.


NIA # 1548

ST. CHARLES - ST. CHARLES - ST. CHARLES
1985 1985 1985

FROM THE WESTERN REGION VICE-PRESIDENT:

Spring time, Show time and better weather is coming and I'm sure you'll all be as glad as we will to start enjoying both. Many shows are coming up so now is the time to mark your calendar and start making plans to attend. We are looking forward to setting up at 6 or 8 shows in the next few months and although they are a lot of work we enjoy them very much.

Plans are underway for the Enumclaw show which will be held May 4-5. Again this year the Washington Bottle & Collectors Assn. will be going in with us. For the past 3 years this has been a good arrangement to have both groups doing one show. It makes for a much larger show and certainly a greater variety of collectibles. One more thing that adds to the show as far as attendance and sales, is a R. V. group that holds their convention at the Fairgrounds the same week-end as our show. Many of them come in to look around and go out with something to add to their collections. Other show hosts might consider combining their show with another group of collectors.

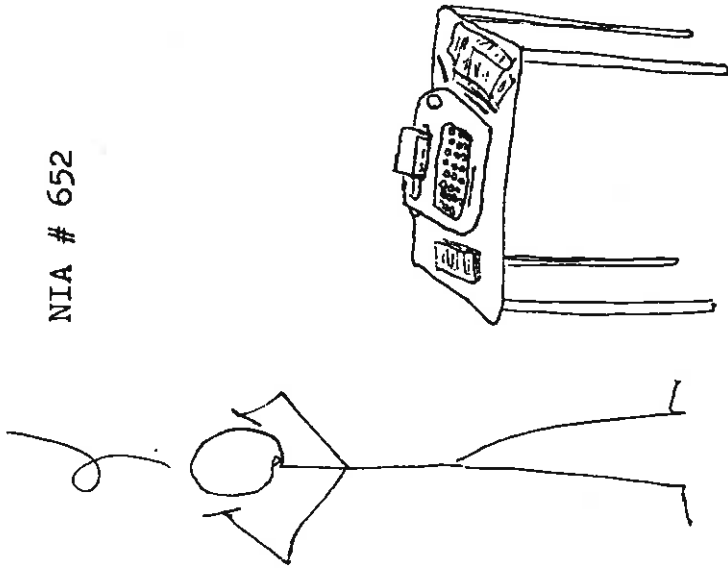
The annual winter swapmeet and potluck was held on Saturday, February 2 at the home of David Benkc in Kirkland. Because of the snow storm on Friday, attendance was down a bit from previous years, however those who came had a good time and enjoyed a marvelous potluck supper. These gettogethers are a fun time and everyone

even went home with a beautiful purple California helmet for his collection! For several years collectors from the Northwest area have had, in addition to the show in Enumclaw, a winter swapmeet, usually held about the end of January, and a summer swapmeet in August. These three events seem to keep the insulator collecting interest high and are entertaining and fun as well.

Remember to attend all the shows you can----they need your support.:

Four Brown

NIA # 652



PARDON THIS ISSUE!

FROM THE SHOW STANDARDS CHAIRMAN:

Hello to everyone in insulatorland. It sure has been a long cold winter here in the mid-west. And now that the snow is melting and the air is beginning to warm, I feel like going outside. Mabey I can find an old railroad track and throw rocks at a Hemingray 42.

There is one subject I need to cover in this issue. During the past few years, the NIA has begun furnishing contest ribbons to sponsors of shows other than those primarily featuring insulators. This is being done for several reasons. The ribbon will encourage insulator participation at these shows, and that in turn will increase our hobbies exposure. And by doing this, we hope to attract many new collectors.

The majority of these ribbon requests are coming from sponsors of bottle shows. These sponsors are mailed one of our award ribbons, if they indicate that insulator activity at their show will be more than incidental. Generally speaking, this is the only requirement for obtaining our ribbon. When I mail a ribbon to such a show, I request that the show host appoint an insulator collector to be the judge for the exhibit contest, but I have no right to demand this. After all - it is their show! So - the bottom line is this: At a national or a regional show, the insulator display competition is judged using specific guidelines. These guidelines are listed on pages 17 to 20 in your NIA Handbook. And display winners are required to comply with these regulations. But the NIA cannot and does not require local shows

ALASKA - 13

BRITISH COLUMBIA - 8

ONTARIO - 42

NEW ZEALAND - 1

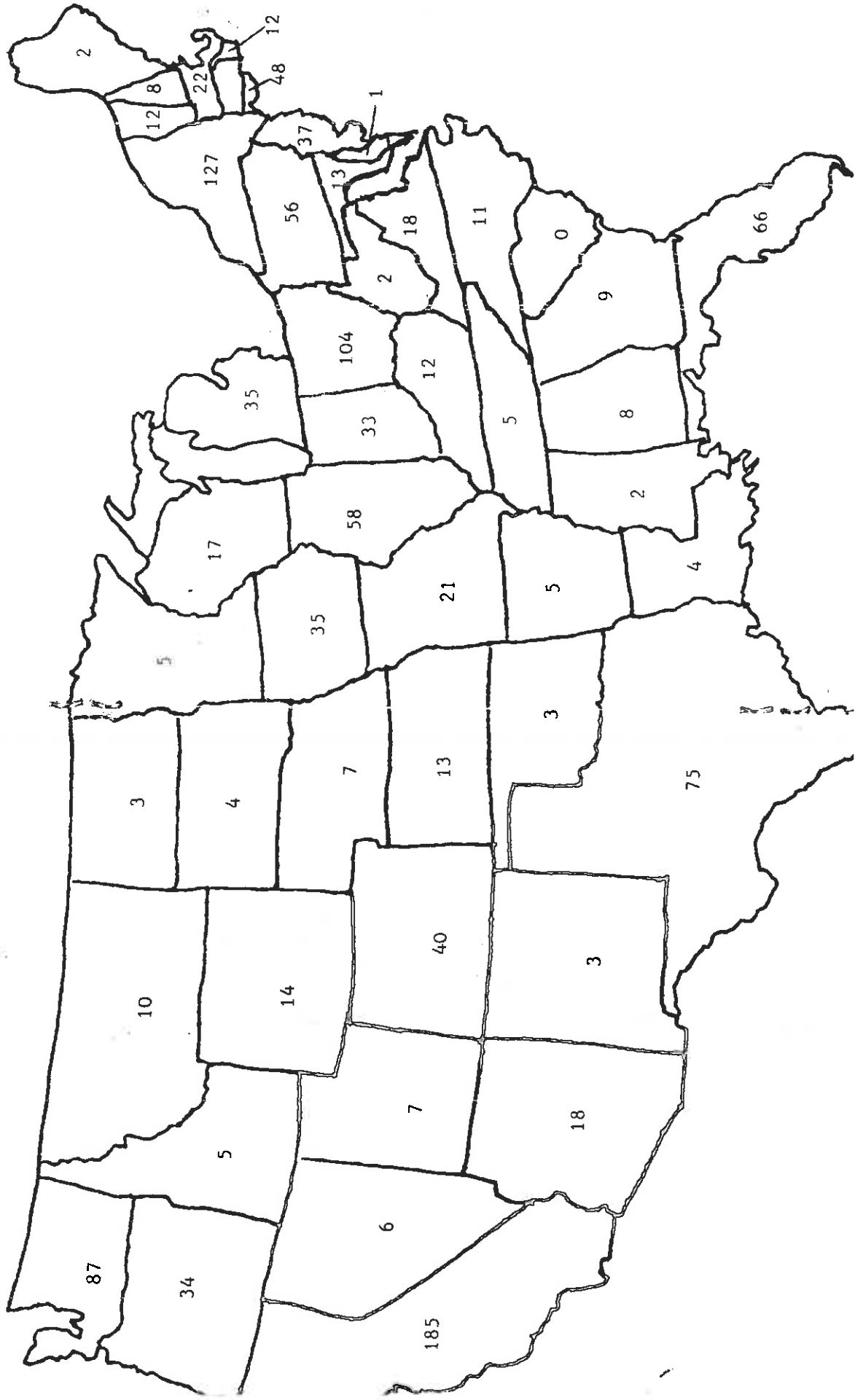
MANITOBA - 0

QUEBEC - 1

PUERTO RICO - 1

SASKATCHEWAN - 12

AUSTRALIA - 9

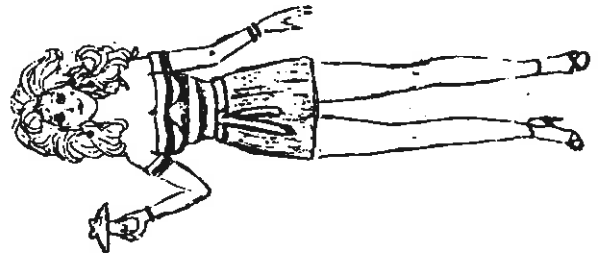


local show should be aware of the possibility that the contest judges may not be insulator collectors.

I look forward to seeing all of you at this summer's national.

Sincerely yours,

NIA # 2814



05

CENTRAL REGION ELECTION
CENTRAL REGION VICE-PRESIDENT

CANDIDATE NUMBER 1

SCOTT L. ASH

My name is Scott Ash and I am running for Central Region Vice-President. Presently I am a Junior attending the University of Akron in Akron, Ohio and I am majoring in Business and Transportation. I started collecting when I was 15 years old due to, as my parents would say "a fatal error", since it was my Mom who showed me my first insulator. My collection now numbers 600 pieces and increasing. Since the first beginnings, insulators and I are inseparable.

I have been attending insulator shows rigorously for the past 3 years and look forward to attending my first National show in Illinois this year. The insulator hobby as a whole has great things in store for it in the future as it does now! One thing that stands out about insulator collectors is their friendliness. Every newcomer that walks into one of the insulator shows says the same thing: "I feel like I've known these people all my life". That feeling is due to our collectors and no one else.

Many times when I am attending antique shows going through boxes of insulators I meet someone doing the same thing. I always ask if they are NIA members and if they have heard of our shows and publications. We need to concentrate on more shows and publicity for the general public so we

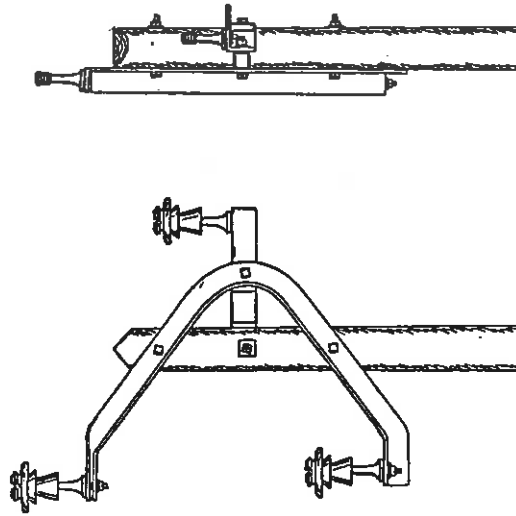
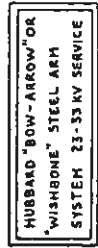
I would be honored to serve as Central Region Vice-President and would do everything in my power to promote "insulator-itis" as always.

Sincerely,

Scott L. Ash

Scott L. Ash NIA # 3222

2416 Chatham Road
Akron, Ohio 44313



CENTRAL REGION ELECTION

CENTRAL REGION VICE-PRESIDENT

CANDIDATE NUMBER 2

MICHAEL SOVEREIGN

As the present Central Region Vice-President, I am requesting your continued support for one more term.

Much has happened during the past three years and I do feel quite fortunate to have been able to serve, and see both the NTA and our hobby continue to grow and prosper.

Being the co-host of this years National, in St. Charles, Illinois, I look forward to seeing and meeting with many of you once again. There is no better time than at the National show to all come together and play a role in setting the course for the on-going success of our hobby.

Thank you,

Michael Sovereign

Michael Sovereign NIA # 154

525 East Illinois

CENTRAL REGION ELECTION
CENTRAL REGION VICE-PRESIDENT

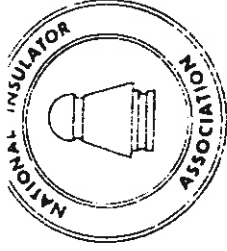
CANDIDATE NUMBER 3

DENNIS WERER

As a candidate for Central Region Vice-President, I guess I should tell you a little about myself. I have been employed by Southwestern Bell Corporation for the past 18 years. I started collecting common insulators back in the early 70's before I learned of the existence of the NIA. I joined the NIA in 1979 and have been an active collector since then. I specialize in transposition insulators, helmets, and rare colored threaded glass, as well as a general collection of threaded and threadless glass. I also collect Bell paperweights and all forms of telephone advertising.

My wife, Jeanne, and I have missed only one National since joining the NIA and hope to never miss another. I am a member of the Missouri Valley Insulator Club and the Antique Telephone Collectors Association. I'm an active member of the Telephone Pioneers of America and was recently appointed Historian for the local area.

If elected I will gladly voice the concerns and ideas of the members and work with the other NIA officers to help improve and promote this great hobby. This takes input from all the membership and I would welcome any correspondence. Hope to see you all in St. Charles.



Specialty Collectors

GLASS:

<u>CD-102</u> John Bieseemier	Moorland, IA
Alana Roloson (Diamonds & Brookfields)	Denver, CO
<u>CD-112</u> John Bieseemier	Moorland, IA
<u>CD-126</u> David R. Wiecek (Brookfields - colors and spelling errors)	Spotswood, NJ
<u>CD-143</u> Eric Halpin	Thunder Bay, Ontario
<u>CD-145</u> Clarice Gordon (H.G. Co. Petticoat)	San Diego, CA
Alana Roloson (Colors)	Denver, CO
Paul Rosenberger (H.G. Co. Petticoat - embossed letter important)	Elgin, IL
<u>CD-162</u> Mike Bruner (H.G. and Hemingray)	West Bloomfield, MI
Kent Henson	Sims, IL

CD-252

Keith Roloson
(Colors)

Denver, CO

Telephone Company Embossed Insulators
Roy Galloway Winchester, KY

CD-257

Kent Henson

Sims, IL

Transpositions

Dave Potts Woodland, CA

CD-730

Eric Halpin

Thunder Bay, Ontario

Dennis Weber St. Joseph, MO

A T & T Embossed

James Brogle

East Rockaway, NY

Withycombe Styles (CD-143)

Keith Roloson Denver, CO

Colbolt Blue Insulators

Cecil Boos

Council Bluffs, IA

PORCELAIN:

Colored Threadless
Ray Klingensmith

East Orwell, OH

Early Classic Porcelain
Elton Gish

Port Neches, TX

Colored American Insulator Co. Insulators
Ray Klingensmith

East Orwell, OH

Ken Stefan Mt. Prospect, IL

Hemingray Insulators

Kent Henson

Sims, IL

Fred M. Locke
Elton Gish

Port Neches, TX

Old Threaded

Dave Potts

Woodland, CA.

Imperial
Elton Gish

Port Neches, TX

Rare Colors

Ray Klingensmith

East Orwell, OH

Multipart Pin Types

Ken Stefan

Mt. Prospect, IL

(Pre - 1920 styles only)

Dennis Weber

St. Joseph, MO

GO WITHS:

Rare Threaded

Mike Bruner

West Bloomfield, MI

Telephone/Telegraph Signs

James Brogle

East Rockaway, NY

Stars

John Biesemier

Moorland, IA

Mike Bruner

West Bloomfield, MI

Dennis Moeller

Alan Colburn

Lake Worth, FL

Lightning Rod Balls

James Colburn

Lake Worth, FL

Old Insulator Catalogs & Engineering Books

Ken Stefan

Mt. Prospect, IL

Bell Paperweights

James Brogle

East Rockaway, NY

Roy Galloway

Winchester, KY

Bill Jackson

Toledo, OH

Scott Sliwinski

Toledo, OH

Dennis Weber

St. Joseph, MO

Dear Fellow NIA Members,

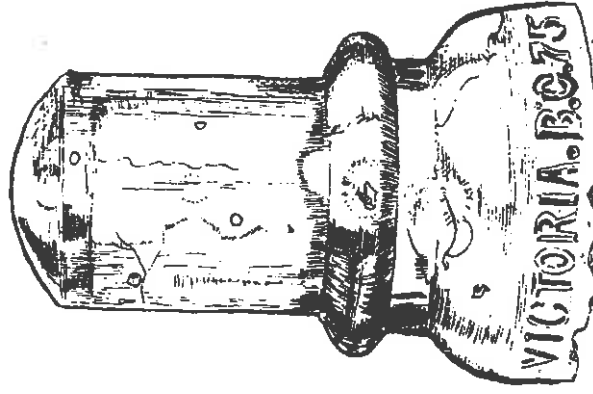
A new insulator club has been formed in the Denver area. All Insulator Collectors are welcome to attend. I especially encourage those collectors from the Denver Metro area, State of Colorado, and surrounding region to make note of this club and plan on attending some of our meetings.

The club meets the first Sunday of each month at 1:00 p.m. The location is the S-G Plaza Building (North entrance, Lower Level Lobby), 2305 E. Arapahoe Road, Littleton, Colorado (approx. 10 miles south of downtown Denver).

At each meeting, members can bring their own card table and set up insulators to swap or sell. The meetings usually last until 4:00 p.m. At this time, Membership dues in the club are free.

I hope to see some new collectors at our next meeting. If I can answer any questions or be of further assistance, give me a call at the following phone number, (303) 972-7733; or write me at the following address, P.O. Box 3666, Littleton, Colorado 80161.

Sincerely,



0 1 1



New Members

NIA # 3458	Ms. J. Vander Heyden 4157 W. henderson Chicago, IL 60641	NIA # 3468	Gene Coon Rte. 2 Princeton, MO 64673
NIA # 3459	Charles W. Moss 3 Mesa Drive Del Valle, TX 78617	NIA # 3469	Donna Vander Schaaf P. O. Box 184 Unionville, NY 10988
NIA # 3460	A. J. Kyle 301 Thompson Drive Pittsburg, PA 15229	NIA # 3470	Steve Bench 1321 S. Main Box 322 Garland, UT 84312
NIA # 3461	David Barlow 22 Asylum Street Mendon, MA 01756	NIA # 3471	John A. Fisher
NIA # 3462	Harold Ross Jr. Box 189A RD#2 Tunkhannoch, PA 18657	3472	Coralee Fisher
NIA # 3463	J. G. Dunbar	3473	Christopher Fisher
3464	June Dunbar	3474	Kent Fisher
3465	John Dunbar Jr. 27 Dunwatson Drive Scarborough, Ontario Canada M1C-3M1	3475	Keith Fisher 113 Linden Green Valley, IL 61534
NIA # 3466	T. L. Selmon Rte. 9 Box 361 Ringgold, GA 30736	NIA # 3476	Thomas H. Welsh 5224 E. 20th Street Tucson, AZ 85711
NIA # 3467	Susan J. Cross 37E Sydney Road Hornsey, London N-8 England	NIA # 3477	Jeff Hogan 941 Sourwood Circle Marietta, GA 30060
		NIA # 3478	Douglas Boll 1721 S. Sanders Street Appleton, WI 54915
		NIA # 3479	Ben Tucker Rte. 13 Lincoln, NE 68527
		NIA # 3480	Sam Snyder 14140 Guildford

NIA # 3481

Brendon Krick
Rte. 13
Lincoln, NE 68462

NIA # 3482
3483
3484

Phyllis Wiecek
Richard Wiecek
Barbara Wiecek
192 Brooklyn Avenue
Spotswood, NJ 08884

NIA # 3485

Bill Muth
12742 18th Street
Redlands, CA 92373

NIA # 3486

James M. Sovalko
807 Center Street
Throop, PA 18512

NIA # 3487

Clifford T. Williams
25 Paige Drive
Monroe, LA 71203

NIA # 3488
3489

Paul L. Rosenberger
Paula R. Rosenberger
74 S. Alfred Avenue
Elgin, IL 60120

NIA # 3490

William B. Mahaffey
P. O. Box 969
Arlington, VA 22216-0969

NIA # 3491

Ron Jenkins
44513 N. 92nd Street E.
Lancaster, CA 93534

NIA # 3492

Karen Stoll
Rte. 1 Box 240
St. Peter, MN 56082

NIA # 3493

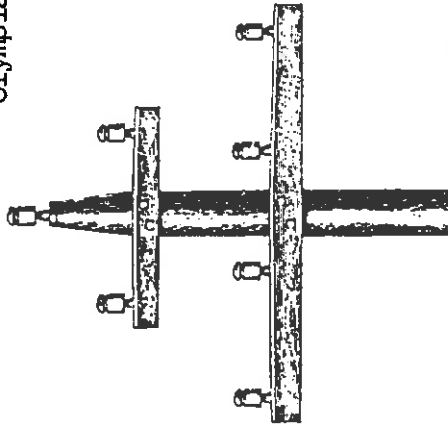
Eva Lindstrom
796 Westminster Blvd.
Turnersville, NJ 08012

Welcome to all of you!!

Correction of Winter DRIP POINTS listing:

NIA # 3367
3368

Theodore Hedges
Betty Hedges
3947 113th Avenue SW.
Olympia, WA 98502



Sorry!

On a sad note...

I am sorry to have to report the passing of a good friend. Rip West passed away on January 18, 1985 at the age of 48. We will miss his presence in this hobby greatly.



Michael Bruner

NATIONAL INSULATOR ASSOCIATION

INFORMATION ON N.I.A. MEMBERSHIP

The Fiscal year for membership dues starts and ends on March 31. The current dues amounts for various membership classes are:

- \$6.00 Adult (Regular individual membership)
- \$6.00 Family (This type of membership is for one voting adult and other family members at the same address. Enclose an additional \$1.00 for each family member who wishes voting privileges.)
- \$1.00 Junior (Under 18 years of age)

Checks payable to "National Insulator Association" and send to: National Insulator Association, c/o Treasurer Rod Krupka, 2615 Echo Lane, Ortonville, MI 48462 (313-627-6351).

Any member, if not a subscriber to the magazine "Insulators--Crown Jewels of the Wire", will receive a copy of the March issue of that publication which serves as the name-and-address directory of all NIA members. Subject to the availability of March copies, new members may have to await the succeeding March directory issue.

All members are entitled to all membership privileges immediately on payment of current dues. Regular and Junior members receive all NIA mailings including the quarterly newsletter, membership directory and membership handbook. Family members do not receive duplicates of these mailings to the same address, but do receive the membership card.

Current membership allows a member to display and purchase a sales table at NIA National Conventions and assures admittance to the show the first day, Friday, which is limited to NIA members only.

(We) apply for () New Membership () Renewal Membership in the National Insulator Association.

NIA # (If Renewal)

Name _____ # _____

Street _____ Phone _____

City _____ State _____ Zip _____

Family Members: _____ # _____

_____ # _____

_____ # _____

_____ # _____

UNITED STATES POSTAL SERVICE

Marilyn Albers NIA #541
14715 Oak Bend Drive
Houston, TX 77079
(713) 497-4146

SECOND PAST PRESIDENT

Pat Patocka NIA #140
P.O. Box 326
Penryn, CA 95663
(916) 663-3681

ETHICS CHAIRMAN

John McDougald NIA #689
26812 John Road
Olmsted Township, OH 44138
(216) 235-2595

SHOW STANDARDS CHAIRMAN

Charlie Allmon NIA #2814
1200 West 76th Street
Kansas City, MO 64114

NOMINATION COMMITTEE CHAIRMAN

Mel Shootman NIA #1172
11949 High Street
Denver (North Glenn), CO 80233
(303) 452-1381

HISTORIAN

Carol McDougald NIA #1076
26812 John Road
Olmsted Township, OH 44138
(216) 235-2595

AUTHENTICATION COMMITTEE